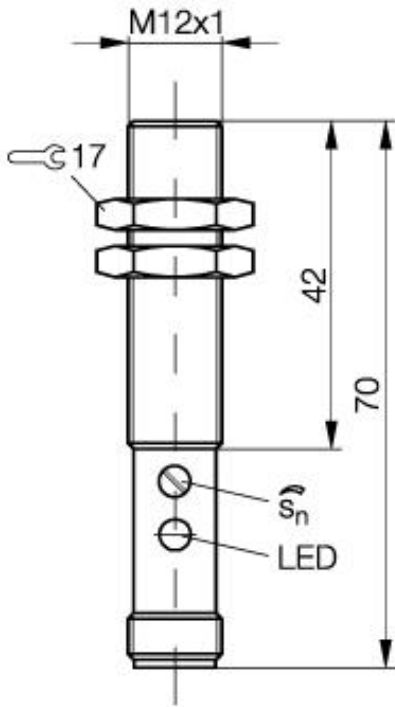


Photoelectric Sensor
BOS 12M-NA-LE10-S4
Sn=30000mm
through-beam, receiver



PX1288

Common Data

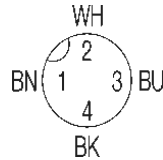
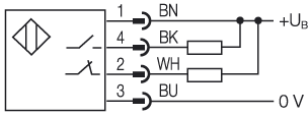
Series	12M
Sensortype	through-beam, receiver
Switching frequency	1000 Hz
Rated operating distance Sn in mm	30000
asured operating distance Sa	LS11:3000; LS12:30000
Indication Switching element on	yes
Ambient temperature	-10...+50°C
On-delay	0,5ms
Sensitivity Adjustment	Poti
Permissible ambient light	5000
Output function	dark-on

Mechanical Data

Measurements	M12x70
Shock	Halfsinus, 30gn, 11ms
Vibration	55Hz, 1mm Amplitude 3x30M
Housing material	nickel plated brass
Material of sensing face	PMMA
Degree of protection	IP67
Connection	Connector S4 (M12)
Weigth	30g
Recommended connector	BKS-S20-9

Electrical Data

Current	DC
Switching function	NO/NC
Output	NPN
Rated operational current Ie	200mA
Supply Voltage	10...30V DC
Ripple	< 10% from UB
Frequency of Supply Voltage	DC
No-load supply current	≤ 15mA
Voltage drop	<2,5V
Short protection	yes
Protected against polarity reversal	yes
max. Load capacity	0,1μF



Utilization categories
 Insulation class

DC 13

Datasheet number:

Definitions see general catalog.
 If not otherwise noted, ratings according to
 IEC 60947-5-2 (DIN EN60947-5-2)

Balluff GmbH
 Schurwaldstrasse 9
 73765 Neuhausen a.d.F.
 Phone (07158) 173-0 Fax (07158) 5010

Datenblatt by CD-ROM - 04/2007

